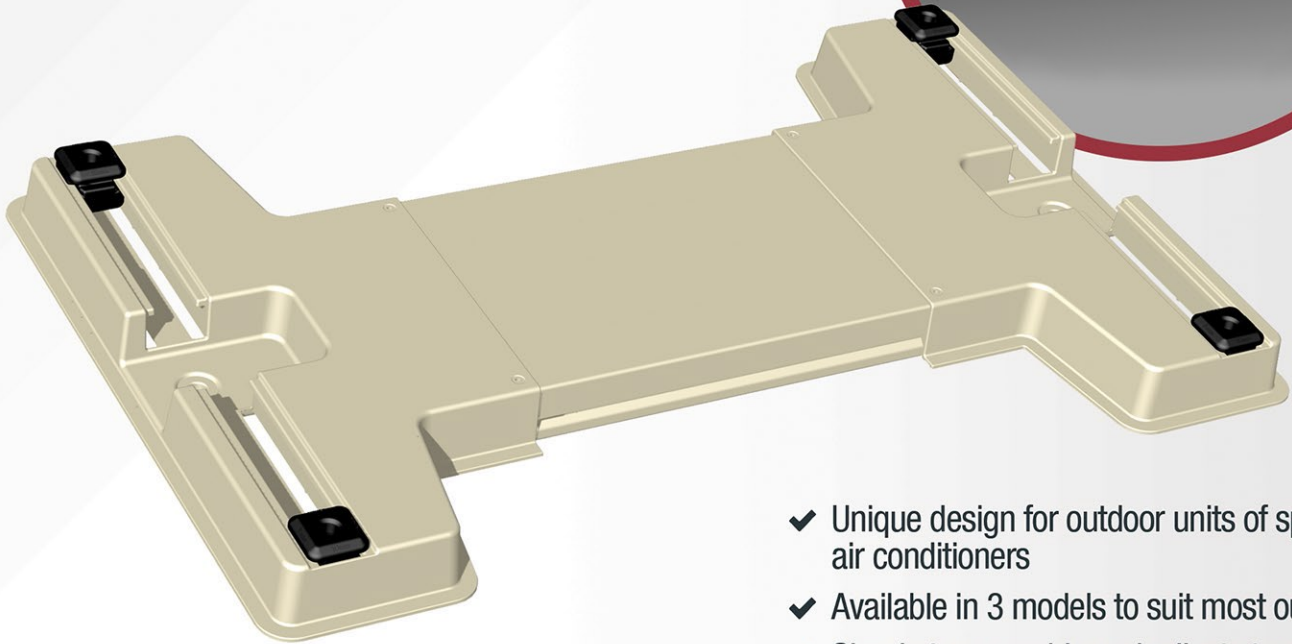
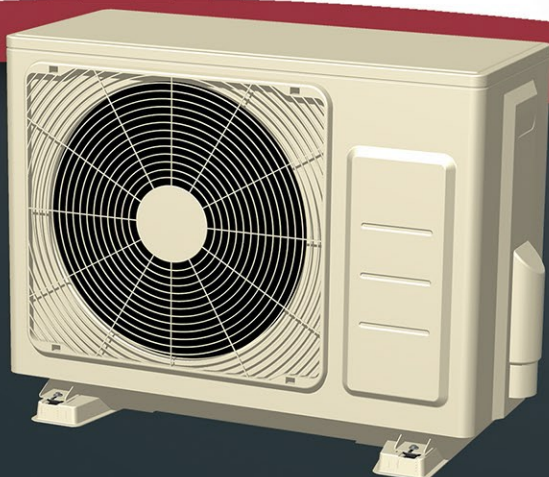
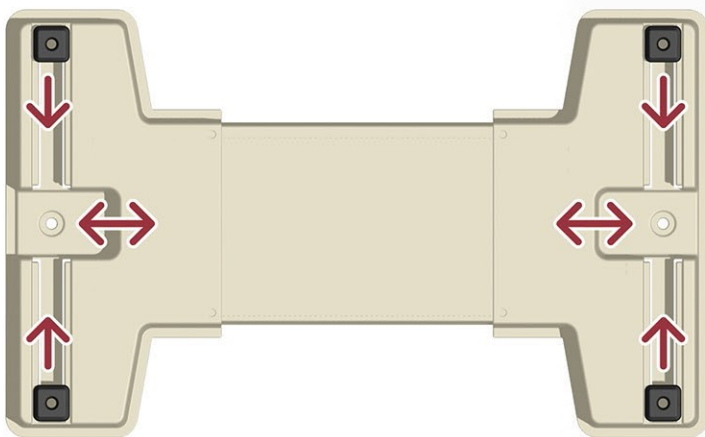


# <sup>TM</sup> **SUPERSLAB** **CONDENSER BASE**



- ✓ Unique design for outdoor units of split system air conditioners
- ✓ Available in 3 models to suit most outdoor units
- ✓ Simple to assemble and adjusts to suit multiple sizes
- ✓ Lightweight and compact packaging - easy to transport and stays clean
- ✓ UV stable polymer
- ✓ Patented multi-height rubber mounts absorb vibration and can be rotated to achieve 4 different heights to level the outdoor unit on a sloping surface
- ✓ Reinforced fixing point each side to suit all types of surfaces
- ✓ Designed in Australia and Patented worldwide

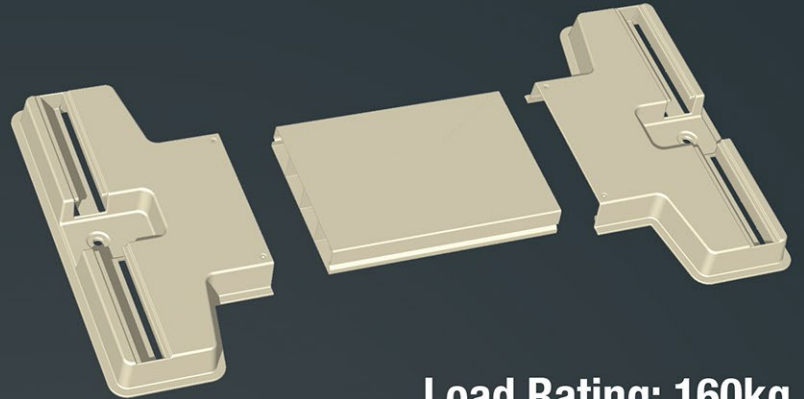
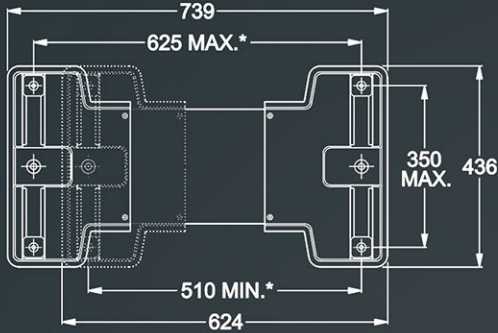


Distributed by

**PRO PIPE SUPPLIES**  
PTY LTD

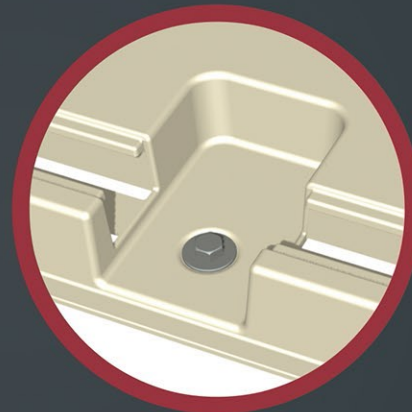
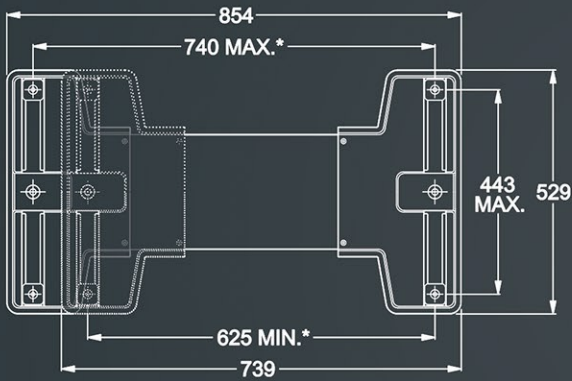


**SMALL | Part No. SUPERSLABS**



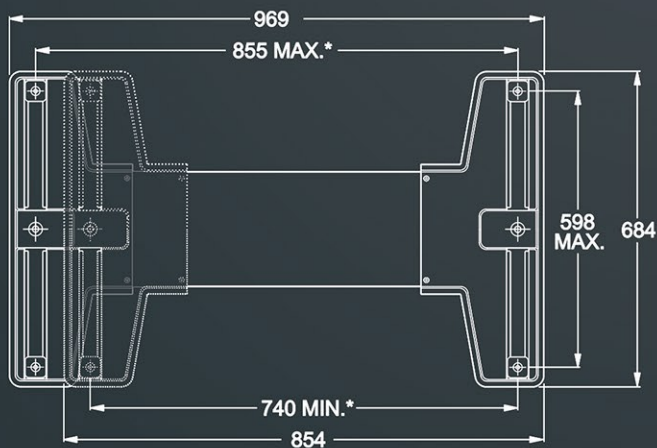
**Load Rating: 160kg**

**MEDIUM | Part No. SUPERSLABM**



**Robust fixing points to attach the unit to all types of surfaces**

**LARGE | Part No. SUPERSLABL**



**Perimeter profile on underside designed to accommodate silicon bead for additional surface fixing**

\*Other widths are achievable by either trimming the centre joiner or ordering a special length joiner