



Boxed non-penetrative support frames for chillers, AHUs, packaged plant, generators, pipes & steels

The HD Beam was developed as a lighter weight companion to the HD Cube and comprises 50mm x 50mm x 3mm square hollow sections to minimise beam deflection. Typical applications include large and heavy plant but is equally functional at supporting heavy pipes and services. HD Beam is a robust but flexible solution where space may be limited, or there is a requirement to position directly over existing structural roof beams. With M24 stud built into both legs, adjustability in height will maintain a level system on roof falls up to 5°, and additional adjustment is not usually needed. The vertical leg assemblies, coupled with the 450mm or 600mm feet and rubber mats, function in distributing the weight of the combined system.

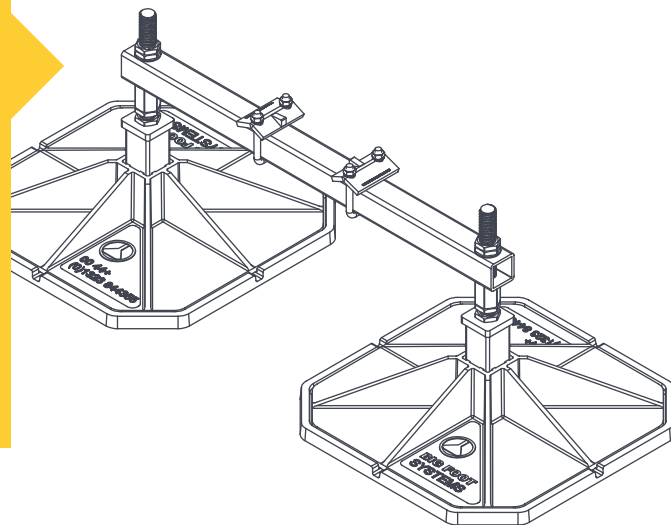
Unlike other proposals/solutions we ensure the weight is evenly distributed through a specified quantity of HD Beams.

As part of our service offer and to support a technical submission our quotations will always state the 'UDL' and/or 'Point Loads' (kN/m<sup>2</sup>) in line with the specified or assumed roof performance. An optional, 'quick fitting' Clamp Kit ensures a rigid fix back to the services, or secondary steelwork.


Our technical capability in line with breadth of range enable Big Foot to design a frame specific to your need... we are yet to encounter a scenario under which we haven't been able to provide a solution.

## Adjustable HD Beam

- Adjustable height support
- Non-penetrative high load carrying capacity
- Elevates heavy services off the roof to facilitate long term roof maintenance
- Hot dip galvanised mild steel
- Flat packed and boxed for convenience



### PRODUCT INFORMATION

Model	600HDB	450HDB
Part no.	B9373 	B9423 
Foot size (mm)	600	450
Height (mm)	300-360	300-360
Overall width (mm)	642	486
Overall length (mm)	1502	1346
Max. load per HDB (kg)	1500	1000
Packaged weight (kg)	37	35

### KIT INCLUDES

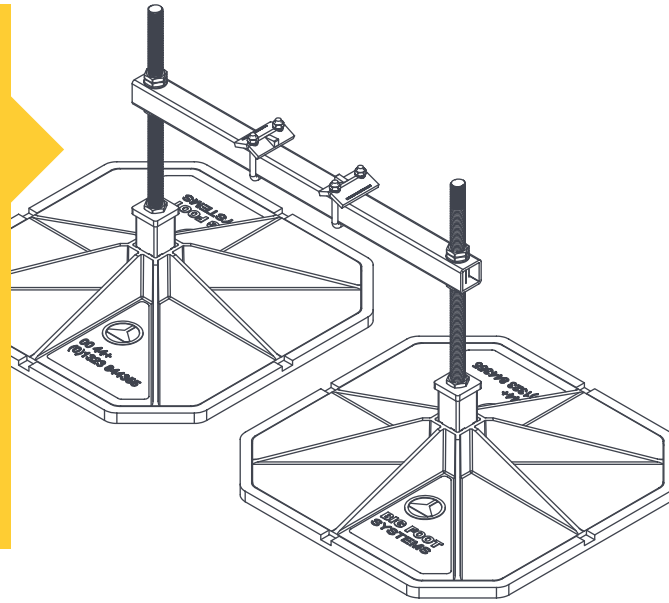
Leg assembly	x 2
Rubber mats	x 2
800mm cross bar	x 1
Beam clamps	x 2
Assembly instructions	x 1

### HEIGHT ADJUSTMENT

Height adjustment from 300mm to 360mm. Big Foot feet can interchange with our various leg assemblies to offer customers differing support heights and footprints to suit

# Adjustable Large Stud HD Beam

- Adjustable clamp kit supplied
- Non-penetrative high load carrying capacity
- Elevates heavy services off the roof to facilitate long term roof maintenance
- Hot dip galvanised mild steel
- Flat packed and boxed for convenience



## PRODUCT INFORMATION

Model	600 LS HDB	450 LS HDB
Part no.	<b>B9692</b> 	<b>B9690</b> 
Foot size (mm)	600	450
Height (mm)	300-580	300-580
Overall width (mm)	642	486
Overall length (mm)	1502	1346
Max. load per HDB (kg)	1500	1000
Packaged weight (kg)	38	36

## KIT INCLUDES

Plastic feet	x 2
Rubber mats	x 2
HD Beam metalwork	x 1
Beam clamps	x 2
Assembly instructions	x 1

For ease of specification these products are detailed on the following building product libraries:



listed in  
**LUCKINSlive**

